

## ECPS Evaporative cooler - Side discharge

Typical running costs are only 10% of air conditioning

Meets all European safety regulations

Cabinets are UV stabilised and corrosion free

Simple, safe and low cost

Environmentally friendly cooling

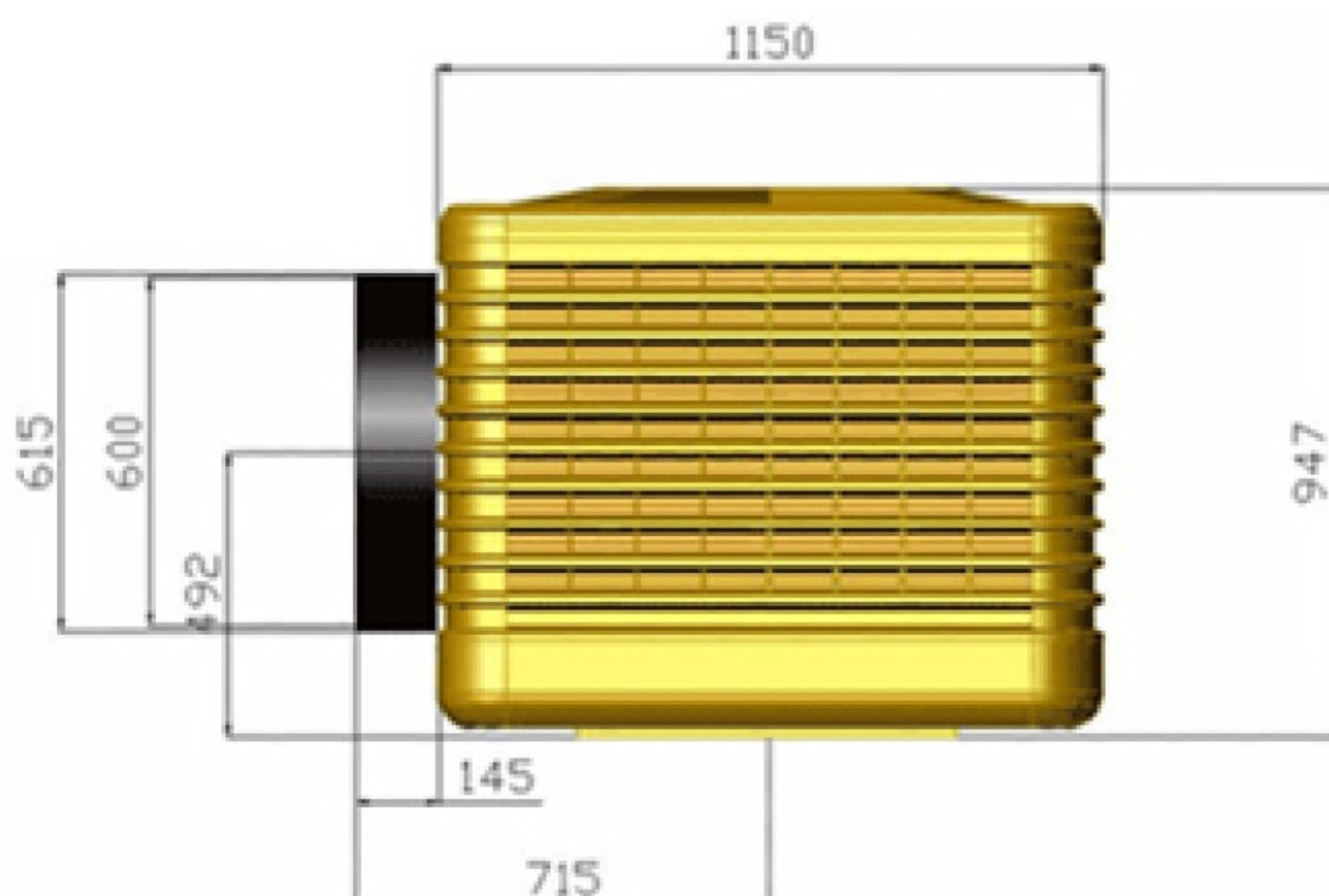
Lower capital cost than air conditioning

Ecocoolers consume 85% less electricity than conventional air conditioning systems



“Taylor” made solutions from the company with the know - how

Dimensions:



Evaporative cooling / ECPS Evaporative cooler - Side discharge  
Product range information:

Nominally rate at 12,000m<sup>3</sup>/hr this evaporative cooler is manufactured in an ISO 9002 quality environment.

Based upon an ECPD EcoCooler a single side panel is replaced by a stainless steel fan transistion element. A further stainless steel blanking plate is used to seal the existing venturi position.

Duct can be fixed to the steel element or to the 600mm internal diameter venture.

Visit us online:

[www.harrytaylor.co.uk](http://www.harrytaylor.co.uk)

# ECPS Evaporative cooler - Side discharge

Typical running costs are only 10% of air conditioning

## Conversion:

The cooler can be supplied complete or as a set change parts. The procedure for conversion is:

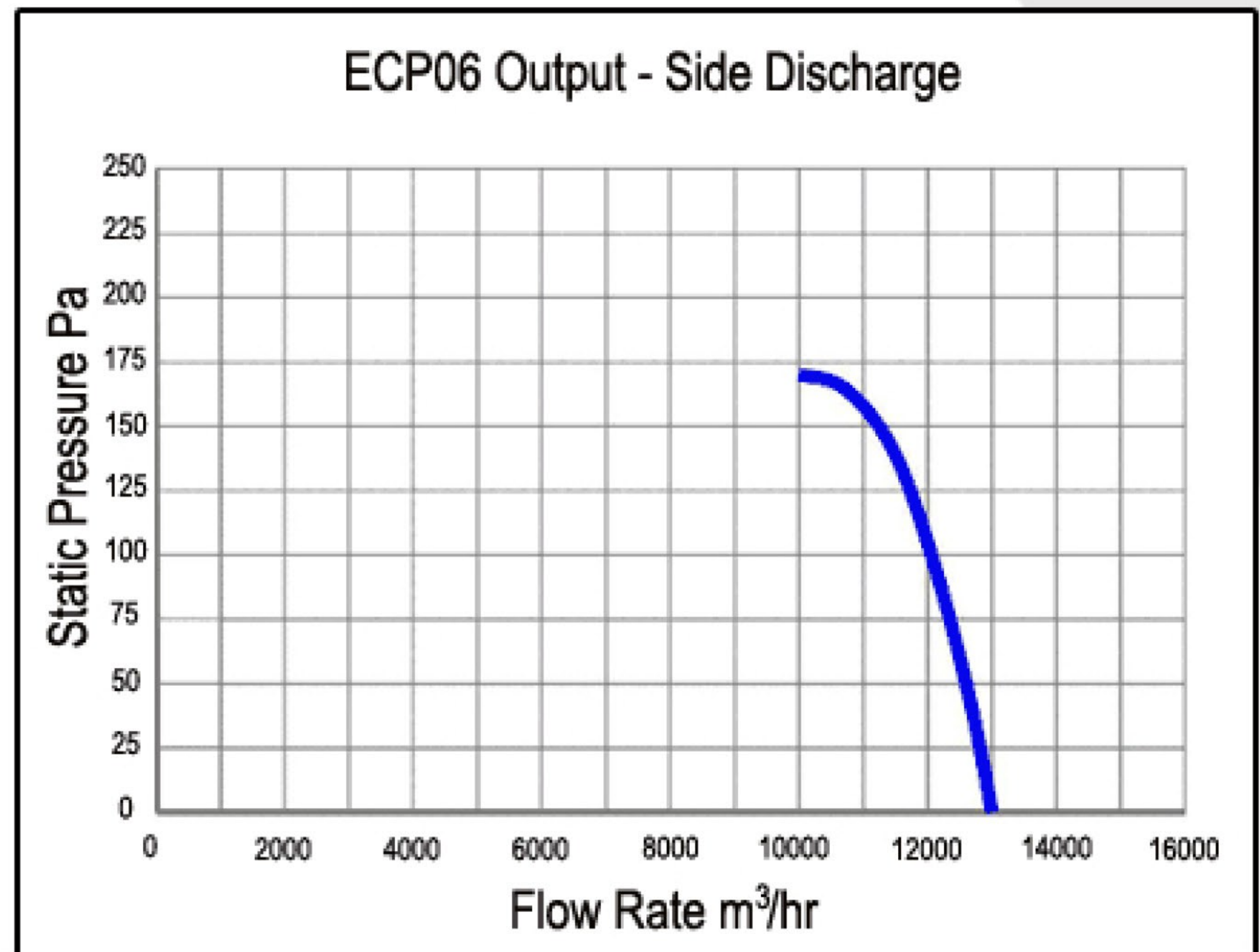
*Remove all four sides.*

*Remove water distributor from side where fan is going and plug the water pipe.*

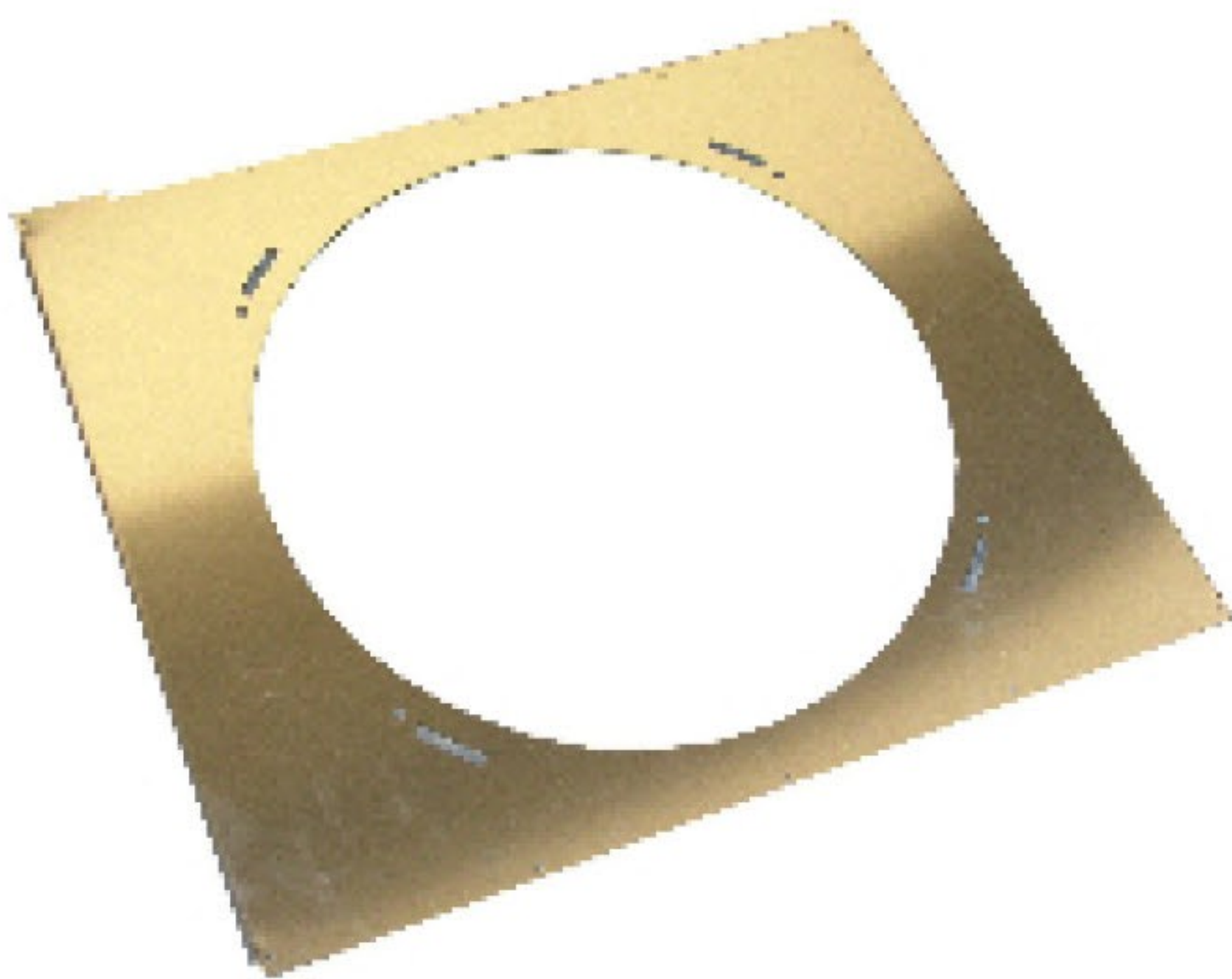
*Fit fan transition element and fix with self drilling screws.*

*Unclip venturi/fan from sump and locate in transition element (It is not necessary to disconnect the power fan cable)*

*Fix bottom blanking plate with 8 self drilling screws  
replace 3 sides.*



## Fan transition element:



## Conversion kit:

- 1 x fan transition element
- 4 x 8mm nuts/bolts for fan fixing
- 1 x bottom blanking plate
- 18 x self drilling screws
- 1 x 15mm hose plug

**Harry Taylor Southern office:**  
Kitsons Works, Aylesbury Road,  
Bromley, Kent,  
BR2 0QZ, UK

**Southern office tel:** 020 8464 0915  
[southernoffice@harrytaylor.co.uk](mailto:southernoffice@harrytaylor.co.uk)

**Harry Taylor Northern office:**  
Guide Bridge Mill, South Street,  
Ashton - under - Lyne, Lancs,  
OL7 0HU, UK

**Northern office Tel:** 0161 308 4550  
[northernoffice@harrytaylor.co.uk](mailto:northernoffice@harrytaylor.co.uk)

 **Harry Taylor**  
[www.harrytaylor.co.uk](http://www.harrytaylor.co.uk)